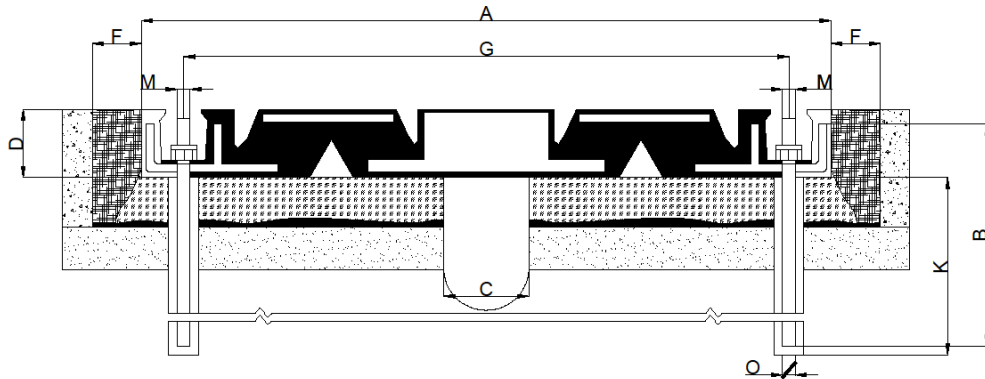
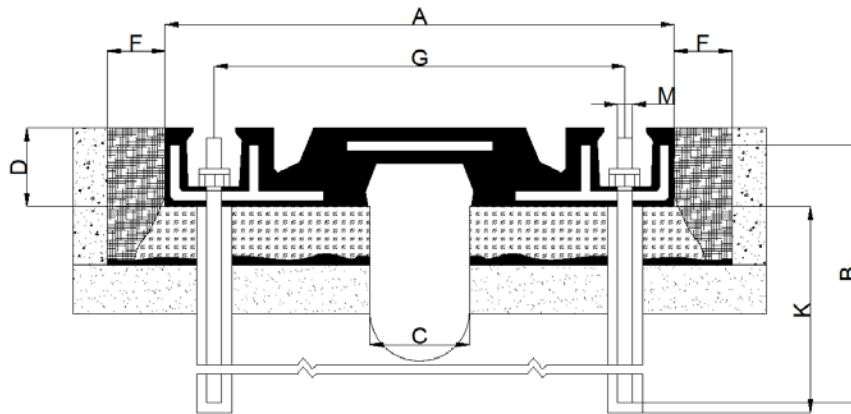


جزئیات درز انبساط تیپ T&S

AFZIR Elastomeric Expansion Joint - EXJ™T&S



جزئیات درز انبساط تیپ S



جزئیات درز انبساط تیپ T

جزئیات درز انبساط تیپ T&S

Dimension (mm)														
Item	Type	Expansion joints					seat			Anchor bolt				
		Movement		width	Height	Length	Gap		Height	Anchor	Hole	Depth	Distance (internal-axis)	Distance (long-axis)
		±	total	A	D	L	C	F	H	M*B	φ	K	G	E
1	AFZIR-T30	15	30	271	32	1000	30	30	34	M12*190	14	170	220	200
2	AFZIR-S50	25	50	274	42	1000	40	30	44	M12*190	14	170	220	200
3	AFZIR-T60	30	60	326	48	1000	50	50	50	M14*200	18	170	240	250
4	AFZIR-S80	40	80	357	46	1000	60	50	48	M14*200	18	170	280	250
5	AFZIR-T80	40	80	391	53	1000	60	50	55	M16*200	18	170	300	250
6	AFZIR-S100	50	100	391	53	1000	60	50	55	M16*200	18	170	300	250
10	AFZIR-T100	50	100	591	55	1000	80	50	57	M16*205	18	170	500	250
7	AFZIR-T140	70	140	470	78	1000	90	60	81	M16*200	18	170	370	250

Dimension (mm)														
Item	Type	Expansion joints					seat			Anchor bolt				
		Movement		width	Height	Length	Gap		Height	Anchor	Hole	Depth	Distance (internal-axis)	Distance (long-axis)
		±	total	A	D	L	C	F	H	M*B	φ	K	G	E
8	AFZIR-S150	75	150	485	80	1000	100	60	82	M16*200	18	170	385	250
9	AFZIR-S160	80	160	500	82	1000	100	60	85	M16*200	18	170	400	250
11	AFZIR-T160	80	160	726	80	1000	120	60	82	M20*230	25	190	615	250
12	AFZIR-S200	100	200	800	69	1000	140	60	71	M20*230	25	190	700	250
13	AFZIR-T230	115	230	901	95	1000	160	80	97	M20*230	25	190	780	250
14	AFZIR-S250	125	250	890	78	1000	160	60	80	M20*230	25	190	790	250
15	AFZIR-T330	175	350	1105	100	1000	220	80	102	M24*300	28	240	980	250